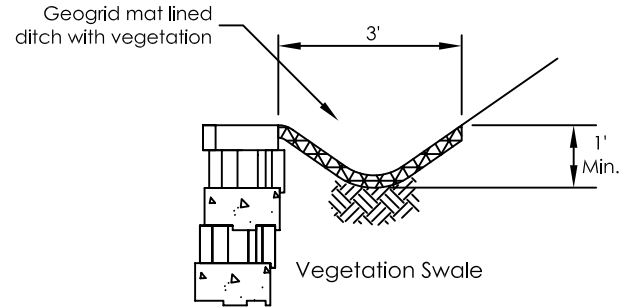
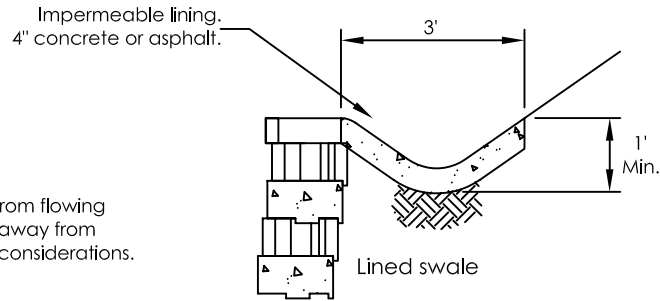


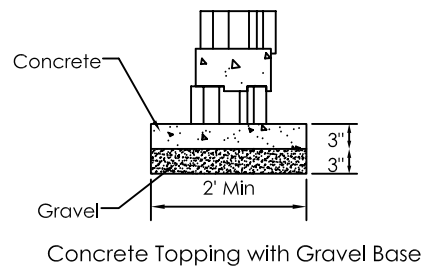
Brow Ditch & Leveling Pad Details

Classic Colonial

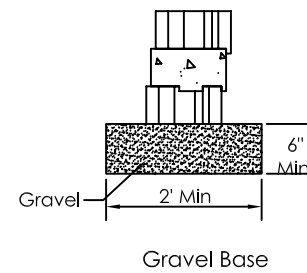
Required to divert surface runoff from flowing over face of wall, to divert water away from back of wall area, and for safety considerations.



Drain Ditch Options
Scale: None



Leveling Pad Options
Scale: None



This drawing is furnished for preliminary design purposes only, and should not be used for final design drawings or construction drawings without the certification of a professional engineer registered in the state in which the wall will be constructed

No.	Date	Revision	By

PREPARED BY:



ROCKWOOD
RETAINING WALLS
A better way

Legend	
	Impermeable Compacted Fill
	3/4" Crushed Stone
	Compacted Fill
	Native Soil
	Leveling Pad
	Geogrid

Project Name:	XX
Project Location:	YY
Drawing Description:	Brow Ditch & Leveling Pad Details

Prepared For:	CCC DDD
Drawn By:	
Checked By:	
Sheet # of \$	
Date:	MM/DD/YYYY
Project Number:	WWWPRO#